

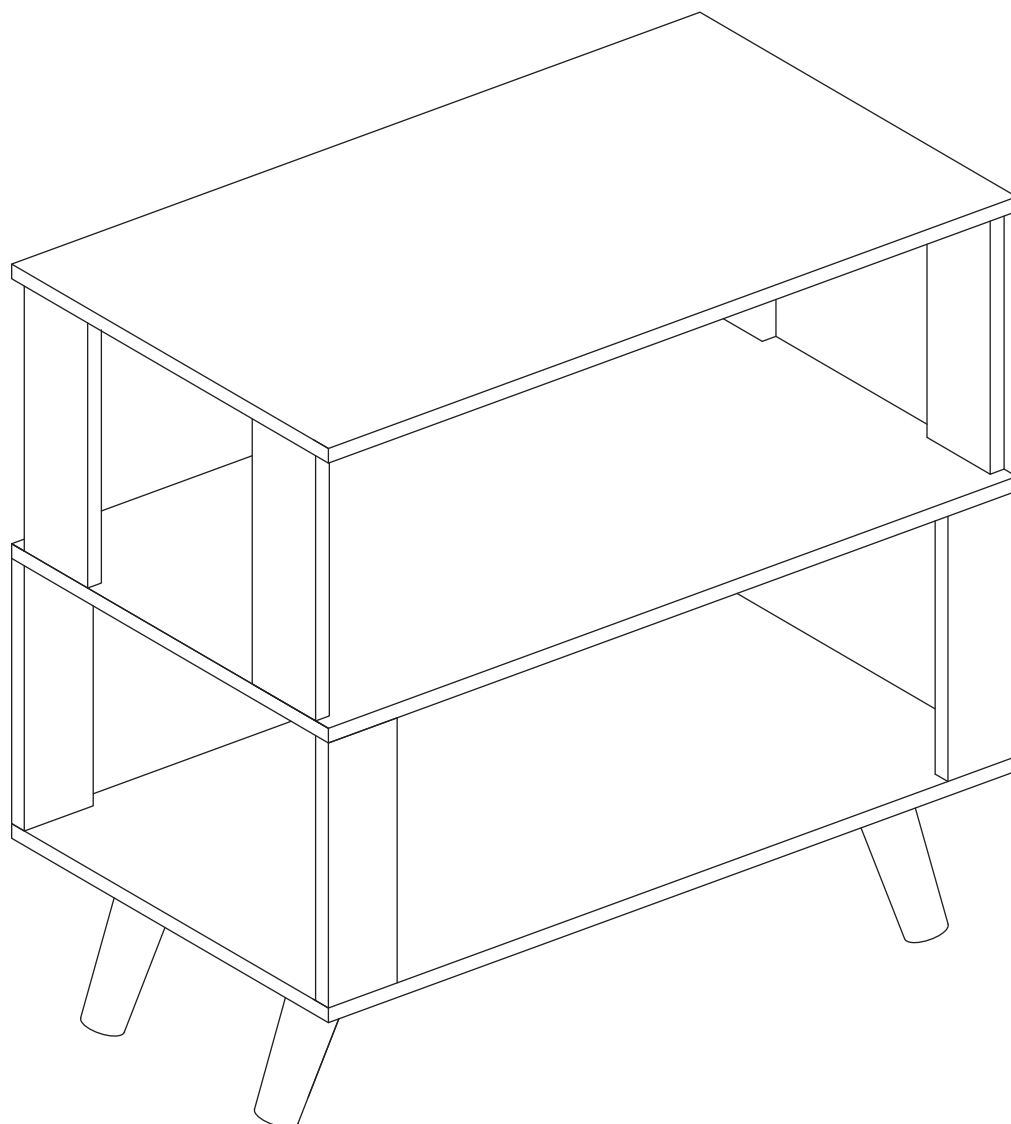
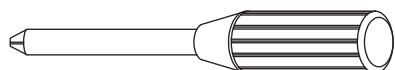
# CASE

1.0 hr

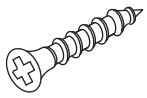
1X



1M x 1M



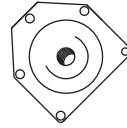
# CASE



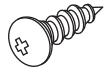
33 x A



16 x B



4 x C



21 x D



2 x E



1 x F

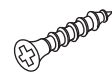


1 x G

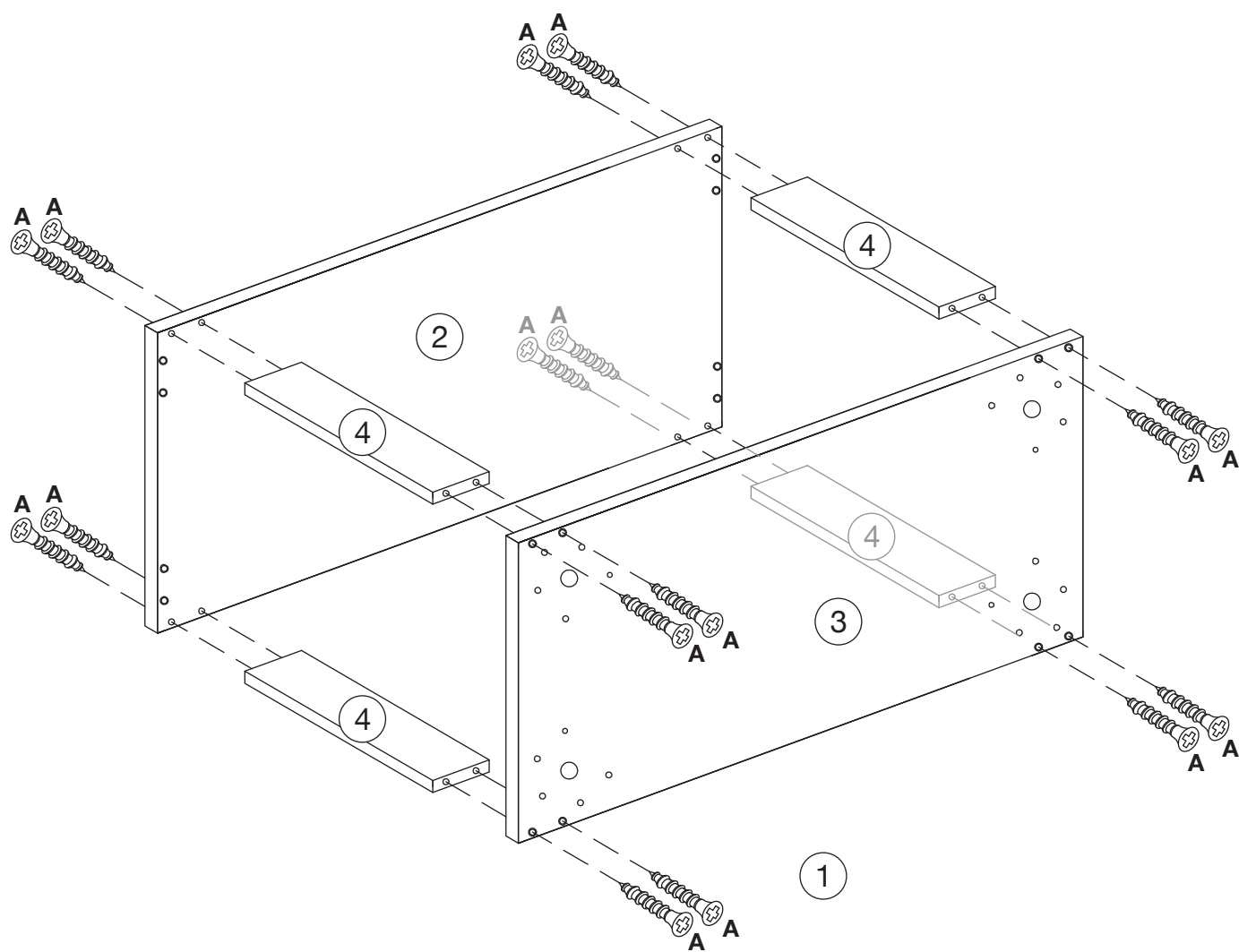
1	1 PC	2	1 PC
3	1 PC	4	8 PCS
5	4 PCS		

# CASE

1

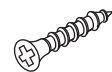


A x 16

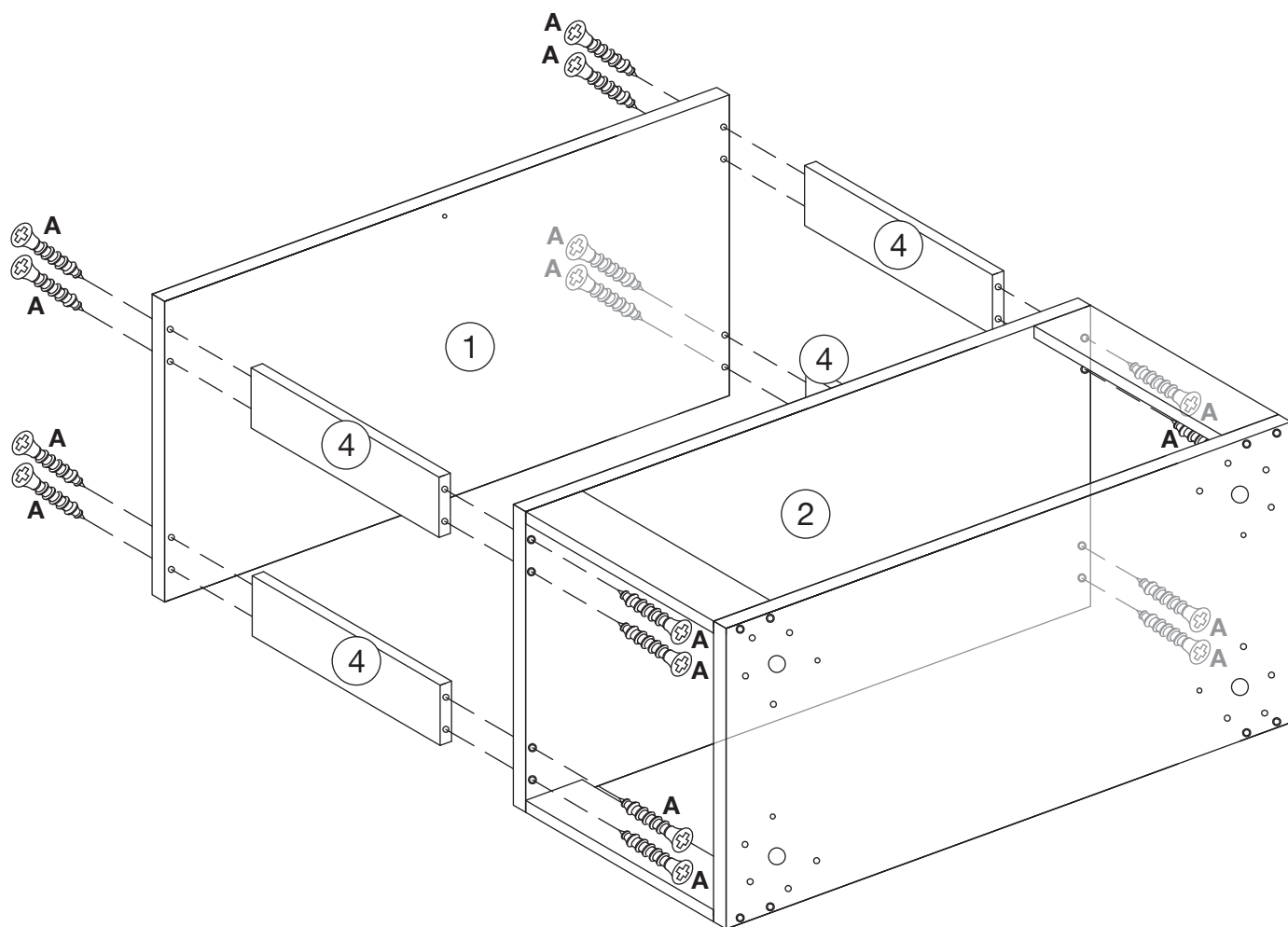


# CASE

2

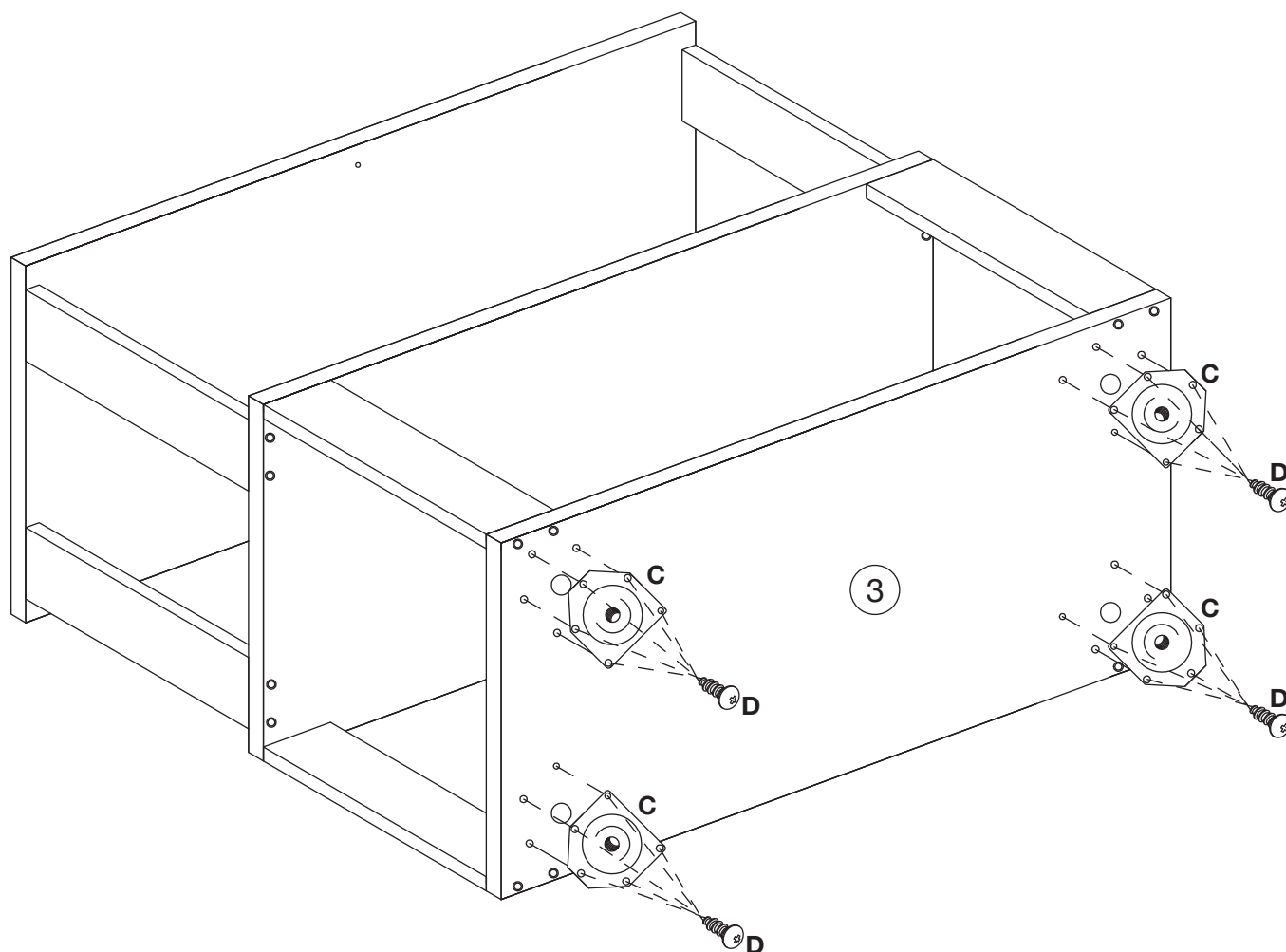
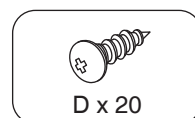
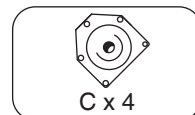


A x 16



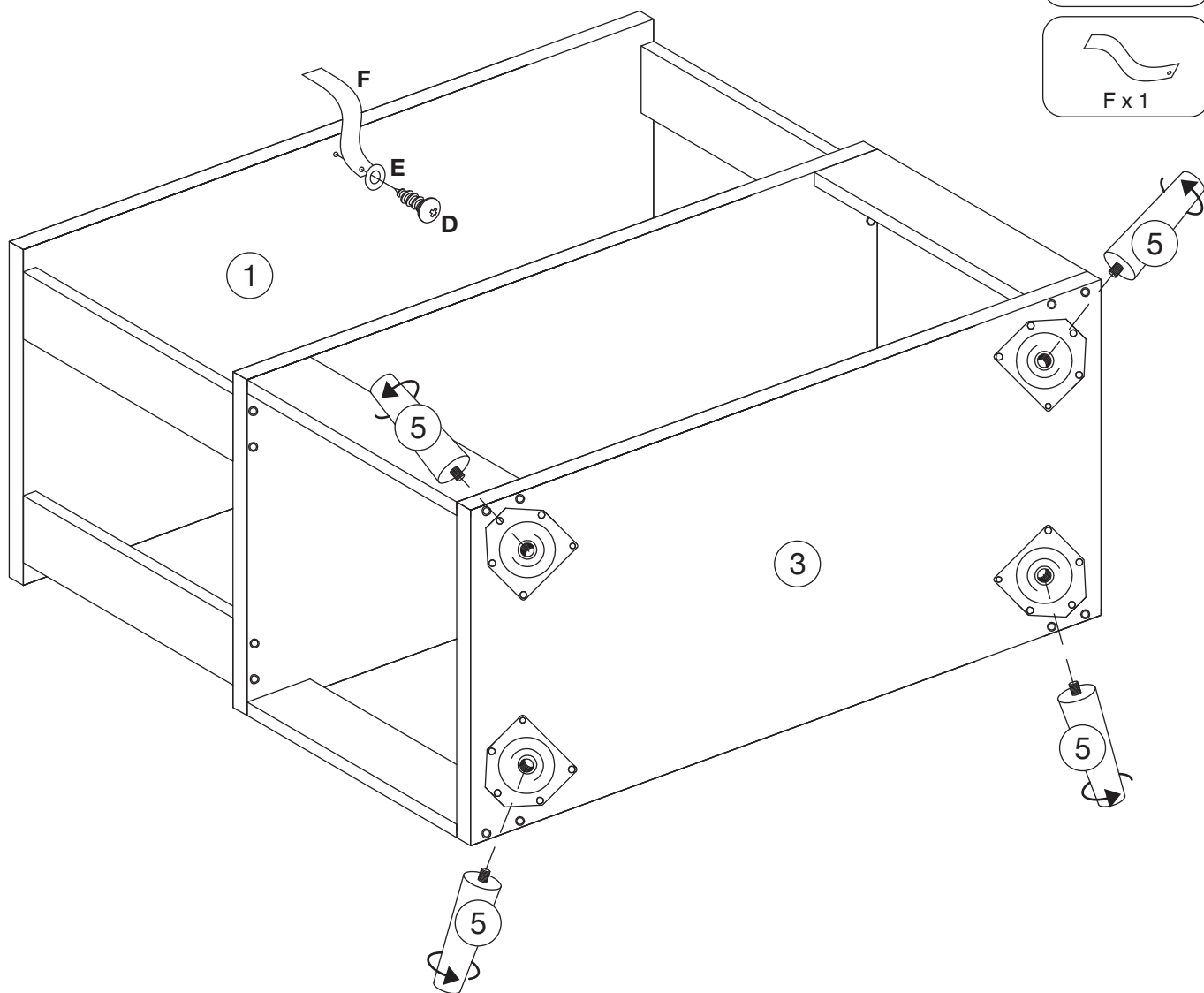
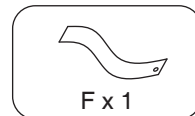
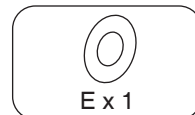
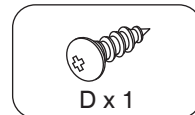
# CASE

3



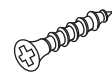
# CASE

4



# CASE

5



A x 1



B x 16



E x 1



G x 1

